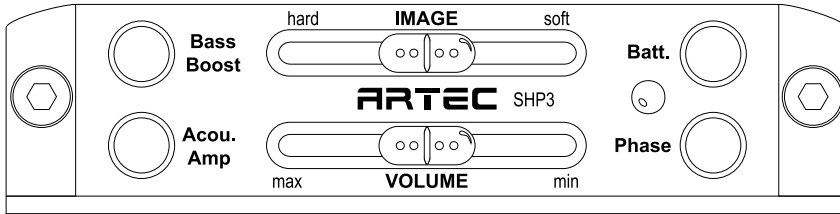


## SHP3

- Active Preamp
- Acoustic amp simulator
- Bass booster
- Anti-feedback phase sw.

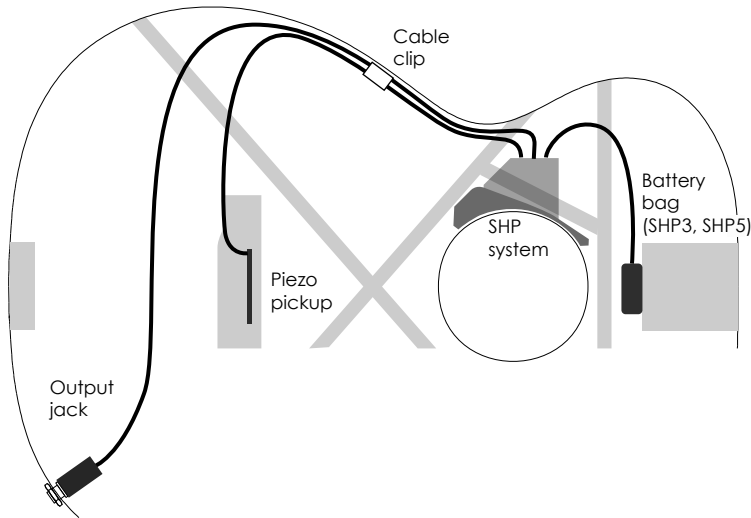
- **Volume:** output level control
- **Image:** tone control of high frequency range
- **Batt:** battery check switch  
when press, LED will light if battery is good
- **Phase:** phase shift switch for anti feedback
- **Bass booster:** increase 6dB@100Hz range
- **Acou. amp:** simulation function of acoustic amp sound



### Package include:

- Soundhole Preamp, Hex wrench
- Output Jack with cable, Cable Clip
- Battery bag, Snap, Velcro

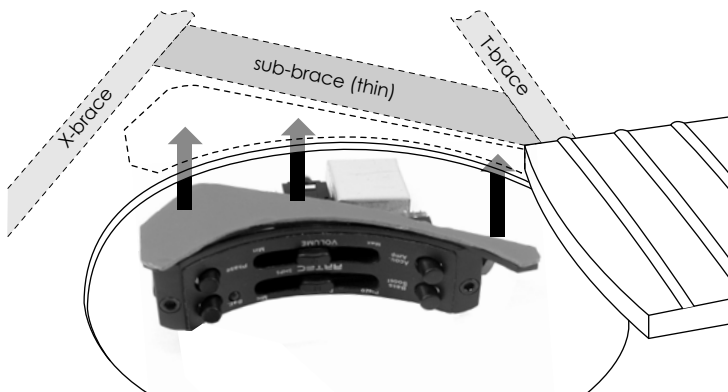
## INSTALLATION



### 1. Test

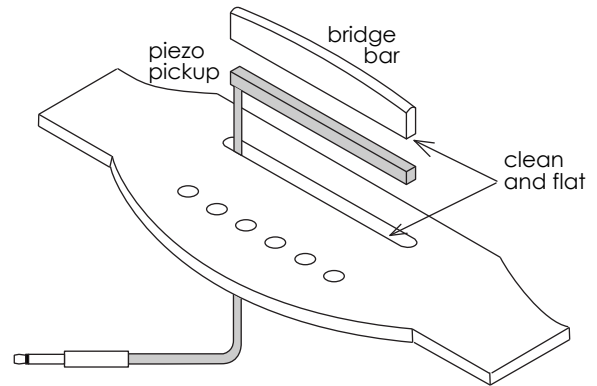
for fit with bracket assembled SHP preamp.

- If no need modification for installation, go to next step.
- SHP series is fit for most of popular acoustic guitar without modification.
- Some guitars has special designed bracing system may required modification for installation.



### 2. Piezo pickup installation

- Make clean and flat for bottom of bridge cavity.
- Reduce height of bridge bar as pickup's height.
- make a hole for piezo pickup cable (use 3mm or 1/8").



### 3. SHP preamp installation

- Make clean the surface of guitar inside with sand paper.
- Put the bracket up with attached stickertape on the bracket.
- Or, use two-part epoxy or cyanoacrylate glue (for wood) for strong bond.
- Connect piezo pickup, endpin jack and battery snap cable.
- Install battery bag with included velcro tape.
- Install SHP preamp on the bracket and tighten hex screws.
- Install 9V alkaline battery into battery bag.

