

LS1 - Single Channel / True Bypass Loop Switch

FEATURES

- Single Loop
- ACTIVE BUFFER SELECT SWITCH
- Isolated BUFFERED OUTPUT for pedal tuner or extra systems
- AUTO-MUTE : When bypass, SEND is on MUTE status
- Professional Grade ZERO-LOSS signal switch
- DC 9V (Regurated) or 9V Alkaline Battery required
- VLCS - very low current system (under 1mA)

[INPUT BUFFER] switch

ON/OFF switch of input buffer (before loop switch)

- BUFFERED : input buffer is ON, active buffer mode
- TRUE BYPASS : input buffer is OFF, true-bypass mode

Battery & Power

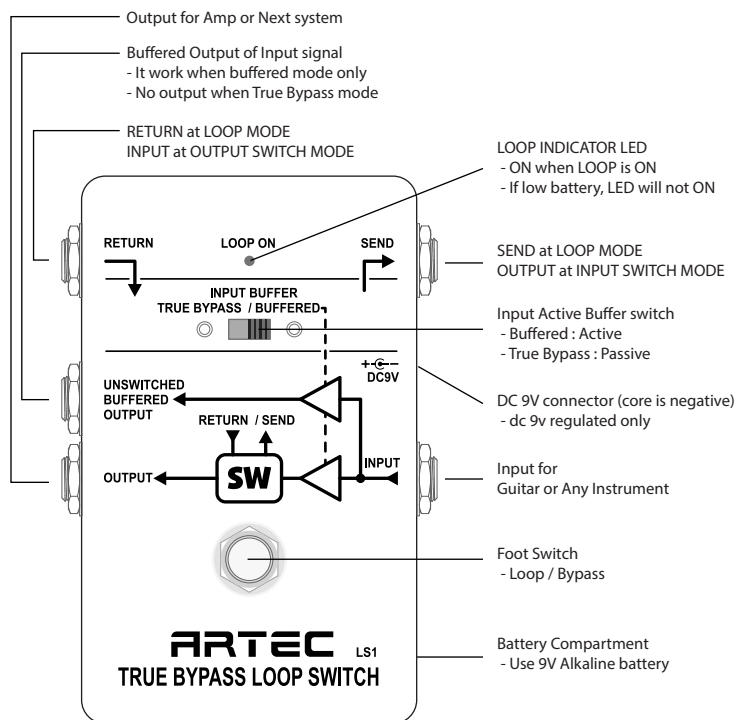
If use a battery, When the indicator goes blinking or no longer lights while an effect is on, it means that the battery is nearly dead and must be replaced. Also it means that the voltage of power supply is too low or disconnected if use a power supply system.

When use the pedal with batteries, Please use ALKALINE batteries to prevent leaking damage.

When use the pedal with a AC adaptor or DC power supply system, Please use DC9V REGULATED (100mA or higher) power supply. Using unregulated or switching power for IT system can cause of HUM NOISE of high frequency noise.

Limited Warranty

The products manufactured by ARTEC will be free from defect in workmanship and materials for a period of two years from proven date. For warranty, please contact the autholized dealer or shop in your region.

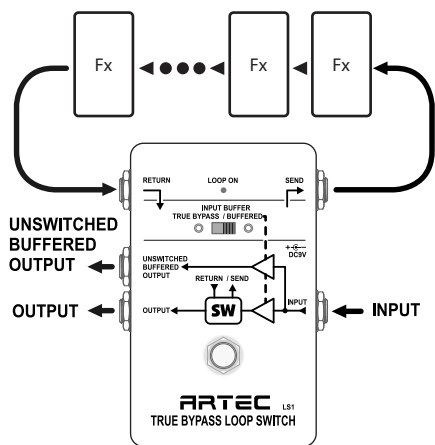


User's Manual

2014-A-ENG

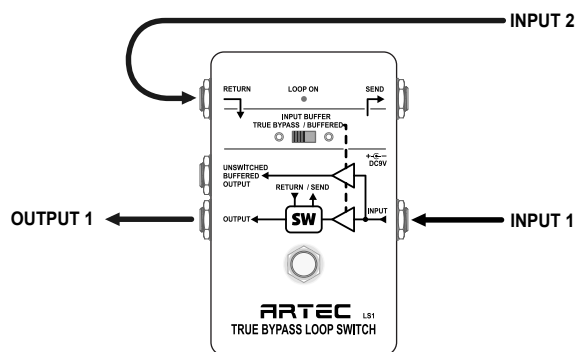


Quick Connect 1 - Loop Switch



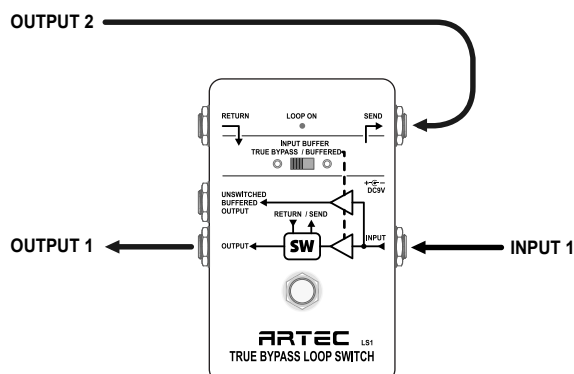
Quick Connect 2 - Input Switch

ex: When use Two Guitars



Quick Connect 3 - Output Switch

ex: When use Two Amps



Quick Connect 4 - 2 Input and 2 Output Cross Switch

ex: When use Two Guitars and Two Amps

