

FEATURES

- Two Loops
- ACTIVE BUFFER SELECT SWITCH
- Isolated BUFFERED OUTPUT for pedal tuner or extra systems
- AUTO-MUTE : When bypass, SEND is on MUTE status
- Professional Grade ZERO-LOSS signal switch
- VLCS - very low current system (under 1mA)

[INPUT BUFFER] switch

- ON/OFF swtch of input buffer (before loop switch)
- BUFFERED : input buffer is ON, active buffer mode
- TRUE BYPASS : input buffer is OFF, true-bypass mode

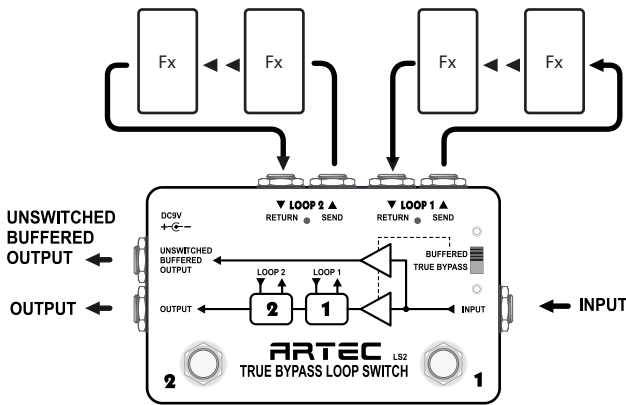
BATTERY & POWER

No Battery Compartment in this Pedal.
When use the pedal with a AC adaptor or DC power supply system, Please use DC9V REGULATED (100mA or higher) power supply. Using unregulated or switching power for IT system can cause of HUM NOISE of high frequency noise.

LIMITED WARRANTY

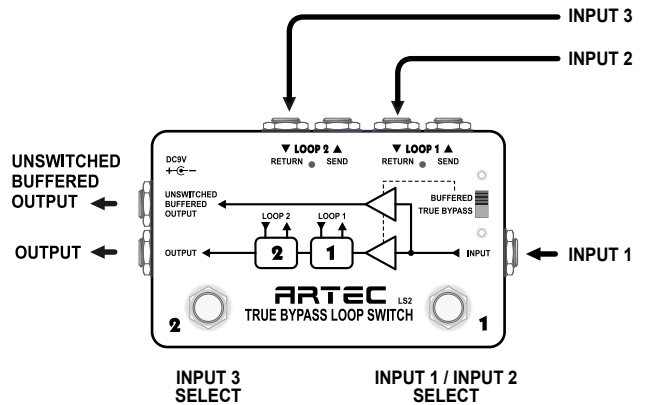
The products manufactured by ARTEC will be free from defect in workmanship and materials for a period of two years from proven date. For warranty, please contact the autholized dealer or shop in your region.

Quick Connect 1 - Loop Switch



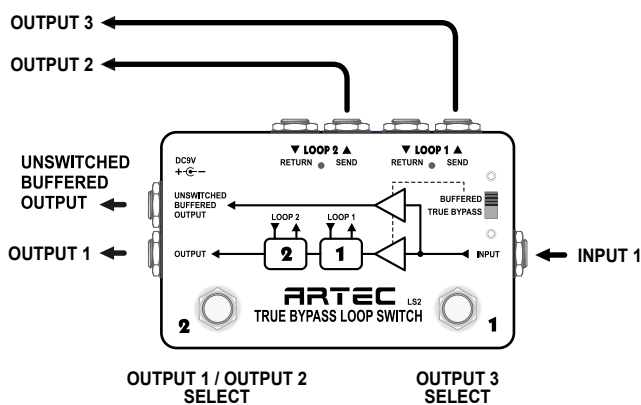
Quick Connect 2 - Input Switch

ex: When use Two Input Sources



Quick Connect 3 - Output Switch

ex: When use Three Amps



Quick Connect 4 - 2 Input and 2 Output Cross Switch

ex: When use Two Guitars and one loop

