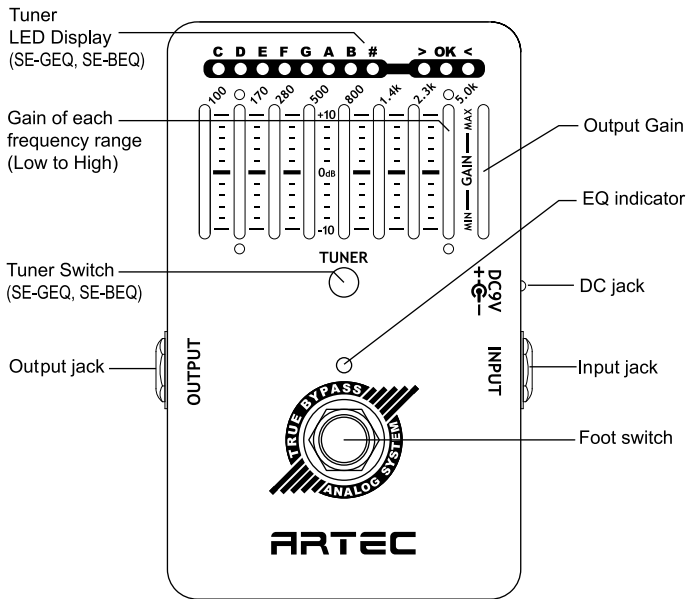


Controls



- Battery: 9V Alkaline 6LR61 or 6F22
- DC power supply: 9V regulated
- Power consumption: 100mA
- Frequency response : 10Hz to 20kHz
- Input impedance : 4Mohm
- Output impedance : 1000ohm
- Dimension: 75.5(w) x 115.5(h) x 47.5(d) (mm)
- Weight: 260g (include battery)

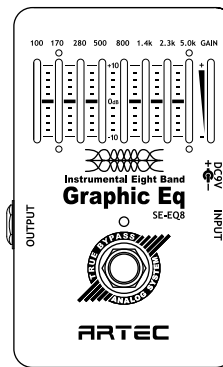
ARTEC

Graphic Equalizer

SE-EQ8 SE-GEQ SE-BEQ

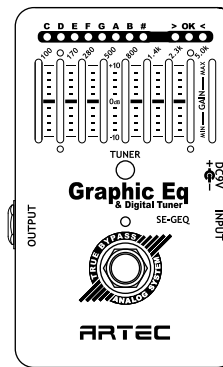
SE-EQ8

8Band EQ. for general use



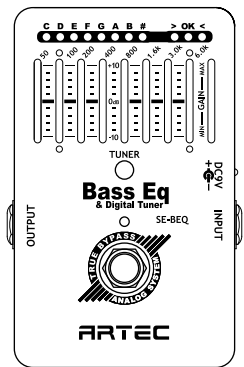
SE-GEQ

8Band EQ. for general use
Chromatic LED tuner



SE-BEQ

8Band EQ. for Bass guitar
Chromatic LED tuner

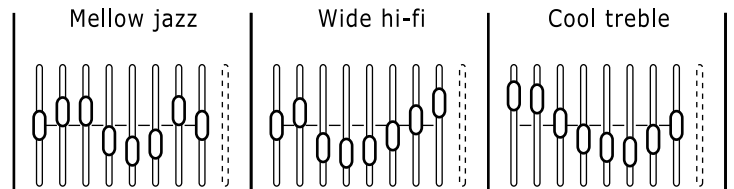


User's Manual

2012-A-ENG

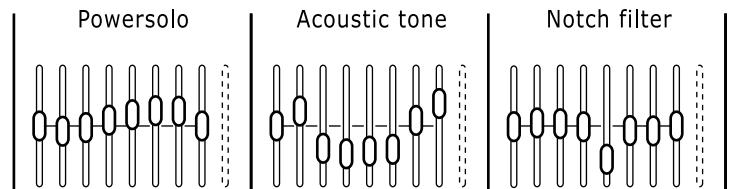
SE-EQ8

SE-EQ8 is an 8 band-Graphic Equalizer with special low noise technology. It can be used for many kinds of musical instruments including Electric Guitar. It is designed specially to make a unique sound with Narrow band Width in Midrange.



SE-GEQ

SE-GEQ is an 8 band-Equalizer with Chromatic Tuner. When pushing the Tuner Switch, the SE-GEQ becomes a Pedal Tuner. You can choose True Bypass or Tuner system with the Foot Switch. When tuning, noise is perfectly blocked by a Low-Impedance Mute. When the Tuner Switch is pulled up, it becomes an 8 band-Equalizer. You can choose Bypass or Equalizer system with Foot Switch.



SE-BEQ

SE-BEQ is an 8 band-Equalizer with Chromatic Tuner for Electric Bass guitar. When pushing the Tuner Switch, it becomes a Pedal Tuner. You can choose True Bypass or Tuner system with the Foot Switch. When tuning, the noise is perfectly blocked by a Low-Impedance Mute of output. When the Tuner Switch is pulled up, it becomes an 8 band-Equalizer. You can choose Bypass or Equalizer system with the Foot Switch.

